



Partnering with India in Building a Better Tomorrow

We are India's largest home and institutional furniture manufacturer since 1936. With a focus on Make in India products, manufactured in state-of-the-art facilities that meet global design, quality, and testing standards.

Committed to modern nation-building, we deliver products, services, and initiatives that drive a greener, healthier, more progressive, and prosperous future.



125+ Years of Legacy 1000+ Projects Delivered Annually

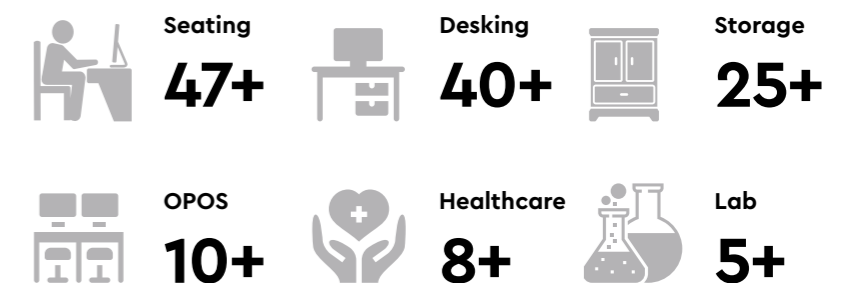
With a rich legacy that spans over 125 years, Godrej is a pioneer across industries in India.

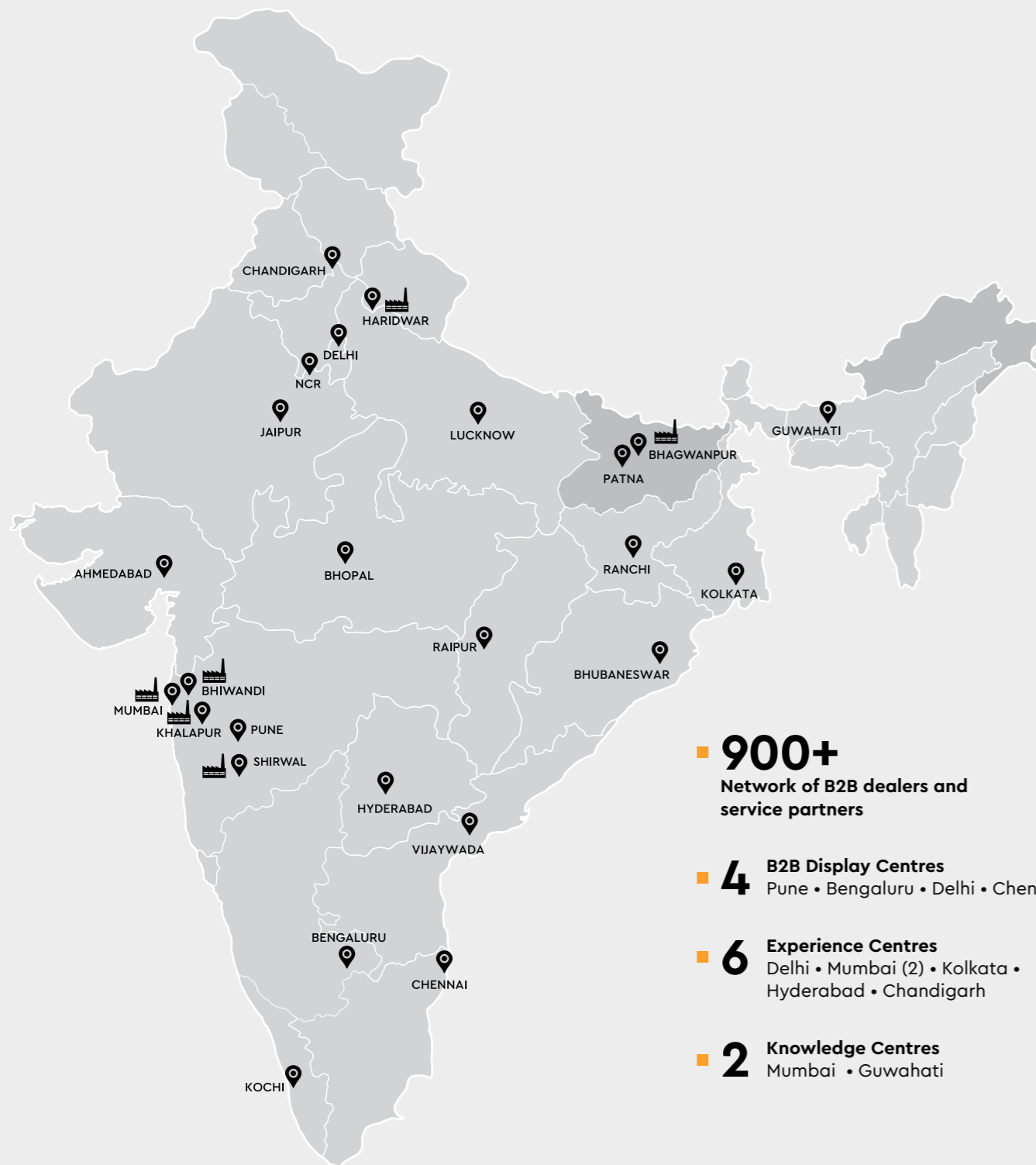
Led by India's largest in-house furniture design team, our aim is to transform spaces with thoughtfully-designed furniture. And our goal is to create brighter homes and offices with products that have the highest design quotient in aesthetics, functionality, and technology.

Godrej Interio at a glance

- India's largest home and institutional furniture manufacturer, since 1936; supporting nation building
- 95% ex-works TOC performance through project tools and dedicated team to ensure on-time project delivery
- Unique customisation capabilities
- Winner of 34 India Design Mark Awards to date

Widest product portfolio across product lines

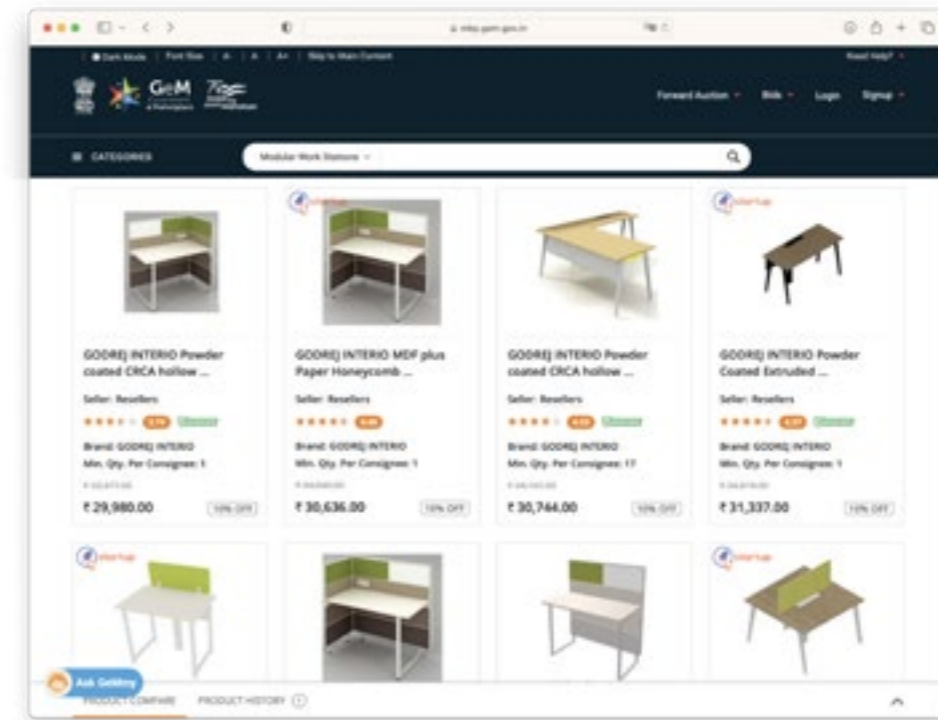




- **900+**
Network of B2B dealers and service partners
- **4** B2B Display Centres
Pune • Bengaluru • Delhi • Chennai
- **6** Experience Centres
Delhi • Mumbai (2) • Kolkata • Hyderabad • Chandigarh
- **2** Knowledge Centres
Mumbai • Guwahati

Our All-India Presence

Get complete access to our wide range of educational solutions across our 900+ dealers and partners in India. Manufactured at our facilities in Vikhroli, Shirwal, Khalapur, Haridwar, and Bhagwanpur, all our products pass through multiple stringent quality checks before they reach you.



Rating of 4+ on GeM Compliant and Widely Available

Godrej Interio is the largest umbrella brand listed on the GeM portal: in 80+ categories under furniture and 190+ categories under office space. Interio has an overall rating of 4+ based on various parameters such as Delivery, Quality, Reliability and Feedback by buyers.

- Among **Top 15** Sellers Registered On GeM
- **60,000+** Product Listings
- **365+** Re-seller Network
- **100+** GeM Categories
- Products Listed In This Dossier Are Available On GeM Portal
- Additional Products Can Be Made Available As Per Requirement

Enforcing Green at Every Step

At Godrej Interio, our sustainability goals are ambitious. We do not just talk, we walk the talk.

We take our work seriously because we know our products and services touch people, transform lives, and change the world.

When we add the element of sustainability and green living into what we do, we infuse hope giving life to the promise of a better future, not only for people but for the planet as a whole.

godrej interio
talk green.
walk green.



Materials

- Design for Environment
- Green Materials
- LCA



Transportation

- Green Modes of Transportation



Manufacturing

- Energy Efficiency
- Zero Waste Water Discharge
- Renewal Energy
- Zero Waste Landfill



In Use

- Low Emitting Products
- Green Certification
- AMC



Packaging

- Flat Packaging
- Right Packaging



End Of Life

- Recycling Programme
- Safe Disposal








India's First Net Zero Energy Building.

- CII certified state-of-the-art manufacturing facilities across 6 locations
- Designed for the environment: Cradle to grave journey monitored



 Greenco certifications awarded to Vikhroli and Shirwal Units

Largest Portfolio of Certified Products

						
	89+ GreenPro	29+ Greenguard	38+ Greenguard Gold	37+ GRIHA	18+ BIFMA Level 2	72+ SCS Indoor Advantage Gold

Towards Healthier Workspaces

godrej interio
wellness@work

- Team of certified doctors / ergonomists to assist employee health and productivity challenges at workplace
- Initiatives help reduce healthcare cost

- Ergonomics Programme helps organisations improve employee comfort, lowers injuries arising out of sedentary lifestyle at work
- Team is backed by research and advisory experience spanning corporate, government and healthcare organisations



Seating

Page 81

**Leather and
Leatherette Chairs**

Page 97

**Cushion Back
Chairs**

Page 108

Multi-purpose

Page 120

Public Seating

Page 128

**Active Seating
Solution**

Page 135

**Auditorium
Seating**

Page 92

**Mesh Back
Chairs**

Page 103

**Training Room
Chairs**

Page 118

**Cafeteria and
Breakout Chairs**

Page 124

Lounge Seating

Page 130

Cue

Posture Perfect

Features

- The Posture Perfect chair is designed with Trackback Technology for all-day comfort and provides continuous lumbar support for a stress-free back.
- Advanced ergonomic adjustments, including seat height, depth, and recline tension, provide a customised fit for all.
- Engineered for endurance, it keeps you feeling fresh and focused, no matter how intense your workload gets.
- Contemporary design and premium upholstery make it a stylish, authoritative addition to any workspace.

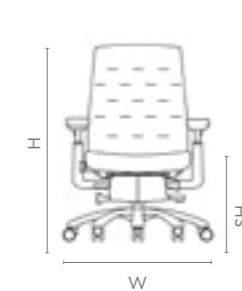


Measurements

High Back



Mid Back



All sizes in cm

	Width	Depth	Height	Seat Height
High Back	74.0	74.0	112.0 - 132.5	44.5 - 58.0
Mid Back	74.0	74.0	96.0 - 116.0	44.5 - 58.0

La Sede

Features

- La Sede, crafted from pure leather, exemplifies sophistication with a smooth finish and refined design.
- Contoured lumbar area can be adjusted to suit your back profile and comes with a five-position tilt limiter.
- Active bio-synchro mechanism senses body weight and adjusts tilt for optimal comfort.
- A T-spine structure supports the contoured chair back, providing flexibility during back height adjustment.
- Soft-edged PU-top armrests offer elbow support, height-adjustable for personalised comfort.
- Available in a range of colours and two back height options, adding understated elegance to any workspace.



Design Registered



Measurements



All sizes in cm	Width	Depth	Height	Seat Height
High Back	76.1	76.1	114.0 - 131.5	44.5 - 54.5
Mid Back	76.1	76.1	96.5 - 114.0	44.5 - 54.5
Visitor	60.9	64.7	98.2	46.2

Emerald

Features

- The Emerald chair design exudes power and authority, making it ideal for executive offices and leadership spaces.
- Ergonomically designed for long hours of work, it features a wide seat and armrests, ensuring comfort while promoting good posture.
- The segmented back not only enhances the chair's aesthetics but also adds character to the workspace.
- Equipped with a central tilt mechanism and upright locking position for easy posture adjustments.
- Available in both leather and leatherette, with a selection of sophisticated colours to suit any office.



Design Registered

Measurements



All sizes in cm	Width	Depth	Height	Seat Height
High Back	69.0	77.8	123.5 - 133.5	49.5 - 59.5
Mid Back	69.0	77.8	105.0 - 115.0	49.5 - 59.5

Quartz

Features

- A seamless blend of sleek design and exceptional comfort, the Quartz embodies sophistication, combining subtle luxury and quiet authority, ideal for today's leaders.
- The curved back profile wraps around your back, offering a snug and supportive fit.
- Polished aluminium die-cast armrests and a dual-tone aluminium pedestal add a refined touch to the chair.
- Upholstered in high-quality leatherette, Quartz is available in a range of elegant colour options to suit any space.

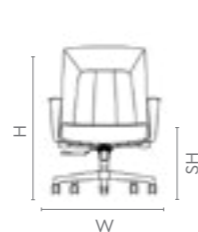
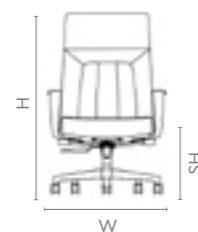


Measurements

High Back



Mid Back



All sizes in cm	Width	Depth	Height	Seat Height
High Back	75.0	79.0	115.0 – 125.0	45.0 – 55.5
Mid Back	75.0	79.0	99.0 – 109.0	45.0 – 55.5

Sapphire

Features

- A fusion of retro elegance and modern luxury, the Sapphire exudes style and confidence, making it an ideal choice for dynamic leaders.
- The unique wing-like armrests create a bold and sculpted look while enhancing support.
- Premium leatherette finish adds a touch of luxury and refinement.
- Designed for personalised ergonomic comfort with lumbar support, adjustable height, and tilt.
- Ideal for executive offices, boardrooms, and stylish workspaces.

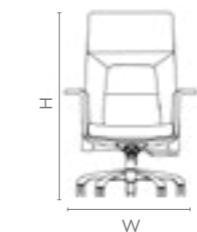


Measurements

High Back



Mid Back



All sizes in cm	Width	Depth	Height	Seat Height
High Back	84.0	80.0	102.5 – 112.5	45.0 – 55.0
Mid Back	84.0	80.0	97.0 – 107.0	45.0 – 55.0

Marvel

Features

- Comes equipped with an active Bio-Synchro mechanism that senses your body weight and tilts accordingly.
- A T-spine structure supports the contoured chair back, providing flexibility during the back height adjustment.
- The wide, soft-edged PU-top armrests provide complete support to your elbows and forearms, and can be height-adjusted as per your need.
- Available in a range of colours.



Design Registered



Measurements



All sizes in cm	Width	Depth	Height	Seat Height
High Back	76.1	76.1	112.7 - 130.2	43.1 - 53.1
Mid Back	76.1	76.1	96.5 - 114.0	43.1 - 53.1
Visitor	60.9	64.2	98.2	44.8

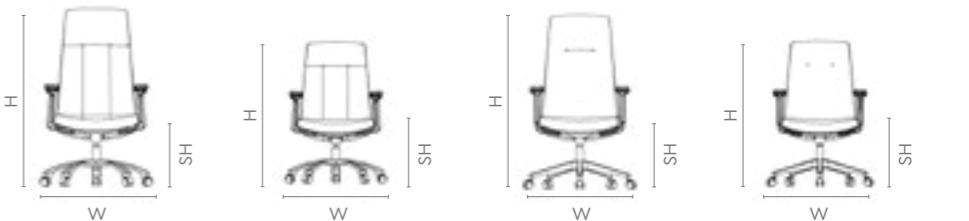
Thrill Cushion



Features

- The Thrill chairs come with a cushioned seat and back for added luxury, comfort, and aesthetics.
- Equipped with a Central Tilt Synchro Mechanism, making it easy to lock the backrest at a comfortable recline angle.
- Comes with armrests that are height-adjustable, rotatable, and can be pushed to the front and back.
- Finished with a tapered back for increased comfort and convenience during long working hours.
- Available in a wide range of colours.

Measurements



All sizes in cm	Width	Depth	Height	Seat Height
Thrill Executive HB	77.0	77.0	110.5 - 120.5	44.5 - 54.5
Thrill Executive FB	77.0	77.0	98.0 - 108.0	44.5 - 54.5
Thrill Cushion HB	76.1	76.1	113.5 - 123.5	46.0 - 56.0
Thrill Cushion FB	76.1	76.1	101.5 - 111.5	46.0 - 56.0

Beat

Features

- The Beat chair is equipped with a lever-less, drop-lift function for intuitive back height adjustment while being seated.
- Its trapezoidal back design gives you an easy grip to adjust its back height.
- Multiple locking positions make it suitable for different tasks, and the Beat's wide upper back and contoured seat maximises body contact area, and therefore minimises discomfort.
- A button underneath the arm pad enables arm height adjustment.



Design Registered

Measurements

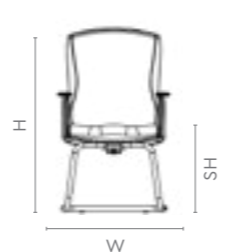
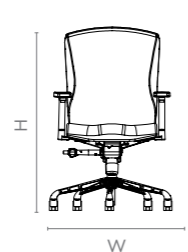
High Back



Mid Back



Visitor



All sizes in cm	Width	Depth	Height	Seat Height
High Back	76.0	76.0	103.0 - 120.0	47.0 - 57.0
Mid Back	76.0	76.0	93.5 - 110.5	47.0 - 57.0
Visitor	57.5	58.2	100.8	47.0

Elite

Features

- The Elite is a quilted leatherette chair with a height-adjustable lumbar support.
- Its armrests are height-adjustable as well, offering superior comfort.
- Comes with an option of a coat hanger at the top, and chrome pedestal at the bottom.
- Available in two seat depth options for different body structures, and a four-position locking mechanism.



Measurements

High back



Mid back



All sizes in cm	Width	Depth	Height	Seat Height
High Back	76.1	76.1	114.0 - 128.2	45.0 - 55.0
Mid Back	76.1	76.1	98.0 - 108.0	45.0 - 55.0

Versa Neo

Features

- Versa Neo's ergonomic contour enables long term seating and lets you perform multi-role tasks with ease.
- Comes equipped with an active Bio-Synchro mechanism that senses your body weight and tilts accordingly.
- A T-spine structure supports the contoured chair back, providing flexibility during back height adjustment.
- The wide, soft-edged PU-top armrests provide complete support to your elbows and forearms, and can be height-adjusted as per your need.



Design Registered



Measurements

All sizes in cm	Width	Depth	Height	Seat Height
High Back	76.1	76.1	113.6 - 131.1	44.4 - 54.4
Mid Back	76.1	76.1	98.6 - 116.1	44.4 - 54.4
Visitor	60.9	64.3	99.5	44.8

Kareena NXT

Features

- The Kareena NXT chair features luxurious leather upholstery for a premium touch and feel.
- Multiple locking positions ensure versatility for various tasks, while the contoured seat maximises body contact, reducing discomfort.
- Equipped with pneumatic seat height adjustment, fixed chrome-finished armrests, and a five-pronged die-cast aluminium pedestal for durability and style.
- A wide range of colour options is available to suit diverse aesthetic preferences.



Measurements

All sizes in cm	Width	Depth	Height	Seat Height
High Back	76.0	76.0	103.5 - 120.5	47.5 - 57.5
Mid Back	76.0	76.0	93.4 - 110.4	47.5 - 57.5
Visitor	66.5	61.6	93.0	47.7

Greta 2.0

Features

- With its sleek and stylish design, the Greta 2.0 adds a touch of elegance and sophistication to any office environment.
- The chair includes multiple built-in ergonomic adjustments that allow for prolonged and comfortable sitting sessions.
- The chair is made for all-day comfort. It has adjustable lumbar support, seat height, headrest, armrests, and 5-point tilt limiter.
- Comes with Active Bio-Synchro mechanism that adjusts the tilt-tension automatically, allowing the users to recline without a need to make adjustments.
- Conforms to BIFMA X5.1 standards.



Design Registered



Measurements

High Back



Mid Back



All sizes in cm	Width	Depth	Height	Seat Height
High Back	76.0	76.0	113.0 – 123.0	43.0 – 53.0
Mid Back	76.0	76.0	96.0 – 106.0	43.0 – 53.0

Thrill Mesh

Features

- Featuring a broad, breathable mesh back for support and soft, cushioned surfaces, the Thrill Mesh chair is designed for comfort. Knitted fabric on seat promotes airflow, keeping you cool during long work hours.
- Height-adjustable lumbar support with a perforated pad ensures personalised back support. 1D adjustable armrest supports relaxed arm position and posture while working.
- Nylon pedestal offers durability and easy maintenance.



Measurements



All sizes in cm	Width	Depth	Height	Seat Height
Thrill Mesh	76.1	76.1	101.5 – 111.0	44.5 – 54.0

Thrill Mesh Plus

Features

- Designed for the contemporary workspace, the Thrill Mesh Plus delivers ergonomic seating in style.
- Wide meshed back and soft contours offer a hammock-like feel, enhancing comfort and breathability with perforated airflow.
- Adjustable 3D armrest keeps arms relaxed. Height-adjustable headrest supports neck and head at various angles, reducing strain during long work sessions. Personalise comfort level with adjustable lumbar support for optimal posture.
- Sleek chrome pedestal adds to the elegance.



Measurements



All sizes in cm	Width	Depth	Height	Seat Height
Thrill Mesh Plus	76.1	76.1	117.0 - 130.0	44.5 - 54.0

Aero

Features

- The Aero is a patterned mesh chair with a height-adjustable lumbar support.
- Its armrests are height-adjustable as well, offering superior comfort.
- Comes with an option of a coat hanger at the top, and a nylon pedestal at the bottom.
- Available in two seat depth options for different body structures, and a four-position locking mechanism.
- Upholstered in knitted fabric with a range of classic colour options.

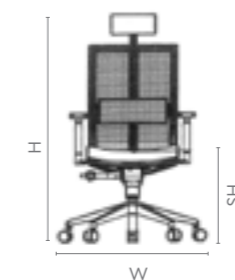


Measurements

High Back



Mid Back



All sizes in cm	Width	Depth	Height	Seat Height
High Back	76.1	76.1	114.0 - 128.2	45.5 - 55.5
Mid Back	76.1	76.1	98.0 - 108.0	45.5 - 55.5

Oxbo

Features

- The Oxbo chair collection includes High Back, Mid Back, and Visitor models, designed to meet diverse seating needs.
- A thick seat cushion, available in bold pops or subtle hues, adds vibrancy to any office space.
- Its unique tubular-frame back feels designer-made, and the mesh upholstery gives it a trendy aesthetic.
- Sleek, wide-looped armrests add comfort and style.



Measurements

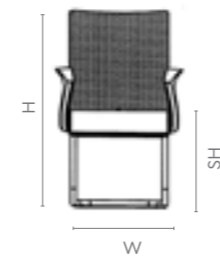
High Back



Mid Back



Visitor



All sizes in cm	Width	Depth	Height	Seat Height
High Back	76.3	76.3	99.5 - 110.5	43.3 - 54.3
Mid Back	76.3	76.3	89.5 - 100.5	43.3 - 54.3
Visitor	61.0	64.5	93.5	46.5

Bravo NXT

Features

- Bravo NXT is a family of chairs consisting of a High Back, a Mid Back, and a Visitor, that caters to a variety of needs.
- Thick seat and back cushions in solid pop colours that can brighten up any space.
- Wide seat and a contoured back provide superior lower back support, while the centre tilt synchronous mechanism enables tilt tension adjustment.
- Its armrests are made with polypropylene durable material, and comes with 100% VOC-free powder coating.
- This chair comes with a waterfall edge to provide better thigh support that enhances blood circulation.



Measurements

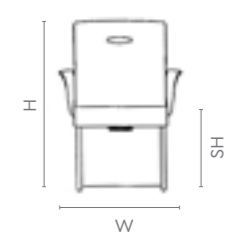
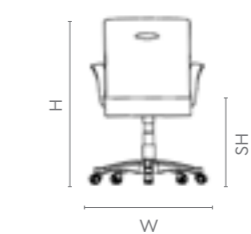
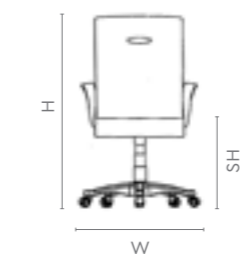
High Back



Mid Back



Visitor



All sizes in cm	Width	Depth	Height	Seat Height
High Back	76.3	76.3	97.0 - 109.0	42.5 - 54.5
Mid Back	76.3	76.3	85.5 - 97.5	42.5 - 54.5
Visitor	61.4	64.5	89.5	46.5

Beat

Features

- The Beat chair is equipped with a lever-less, drop-lift function for intuitive back height adjustment while being seated.
- Multiple locking positions make it suitable for different tasks, and the Beat's wide upper back and contoured seat maximises body contact area, minimising discomfort.
- A button underneath the arm pad enables arm height adjustment.
- Waterfall seat edge reduces pressure behind the knees, encouraging blood circulation.



Design Registered

Measurements

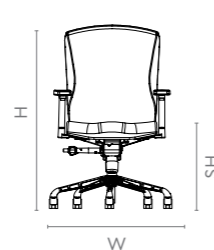
High Back



Mid Back



Visitor



All sizes in cm	Width	Depth	Height	Seat Height
High Back	76.1	76.1	103.0 - 120.0	47.0 - 57.0
Mid Back	76.1	76.1	93.5 - 110.5	47.0 - 57.0
Visitor	57.5	58.2	100.8	47.0

Versa Canvas

Features

- Versa Canvas's ergonomic contour enables long term seating and lets you perform multi-role tasks with ease.
- Comes equipped with an active Bio-Synchro mechanism that senses your body weight and tilts accordingly.
- A T-spine structure supports the contoured chair back, providing flexibility during back height adjustment.
- The wide, soft-edged PU-top armrests provide complete support to your elbows and forearms, and can be height-adjusted as per your need.



Design Registered

Measurements

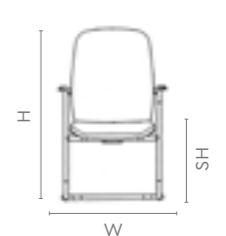
High Back



Mid Back



Visitor



All sizes in cm	Width	Depth	Height	Seat Height
High Back	76.1	76.1	113.4 - 130.9	44.2 - 54.2
Mid Back	76.1	76.1	96.3 - 113.8	44.2 - 54.2
Visitor	60.9	64.3	98.2	44.6

Earl

Features

- Earl is a complete seating solution suited both for workstations as well as cabin seating
- Its centre tilt mechanism with upright position locking ensures constant back support.
- The backrest's foam is designed with contoured lumbar support for extra comfort.
- The armrests are scratch and weather-resistant, and provide ample support to a user's forearms.



Measurements



All sizes in cm	Width	Depth	Height	Seat Height
High Back	76.3	76.3	100.9 - 122.9	43.4 - 55.4
Mid Back	76.3	76.3	78.4 - 90.4	43.4 - 55.4
Visitor	55.0	58.0	84.0	45.0

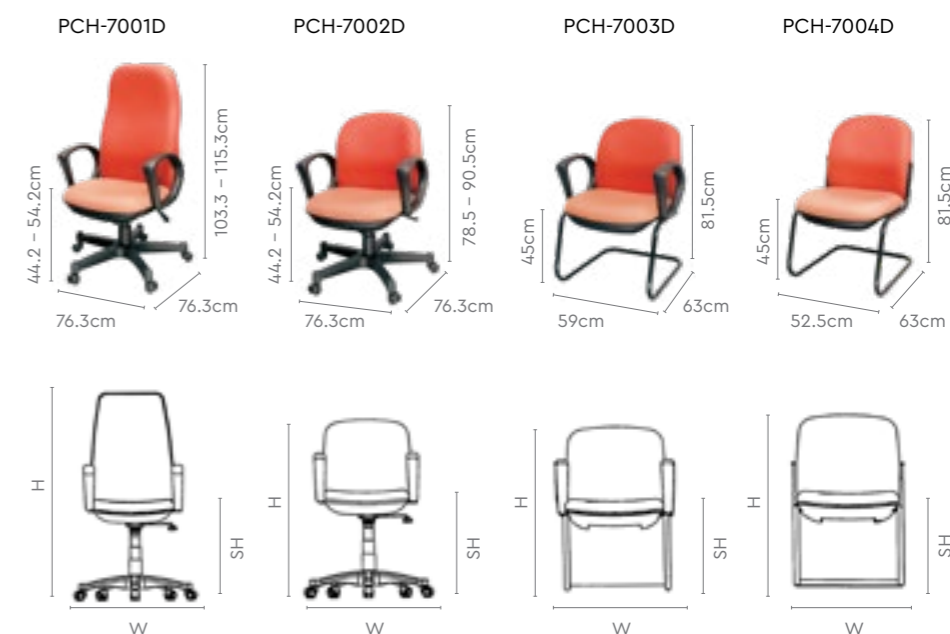
Regency

Features

- This elegant chair is a multifunctional addition to any workspace.
- Regency's central tilt mechanism is responsive to body movements and offers comfortable reclining options.
- The ergonomic seat and backrest are made of moulded foam which is soft on first contact yet provides firm but comfortable seating support for long hours.
- Comes equipped with pneumatic height adjustment.
- Made of 100% VOC-free powder coating and is 99% recyclable.
- Available in a wide range of colours.



Measurements



All sizes in cm	Width	Depth	Height	Seat Height
PCH-7001D	76.3	76.3	103.3 - 115.3	44.2 - 54.2
PCH-7002D	76.3	76.3	78.5 - 90.5	44.2 - 54.2
PCH-7003D	59.0	63.0	81.5	45.0
PCH-7004D	52.5	63.0	81.5	45.0

Diva

Features

- The Diva's 'S' profile back offers excellent lumbar support, while the permanent contact tilt mechanism ensures support whether reclining or sitting upright.
- The pneumatic seat height adjustment allows for quick and easy customisation.
- Featuring ABS cladding on the seat and back for enhanced durability.
- Comes with either fixed loop or adjustable T-arms, along with a five-star nylon base and twin-wheel castors for mobility.
- Available in a variety of colour options to complement any space.

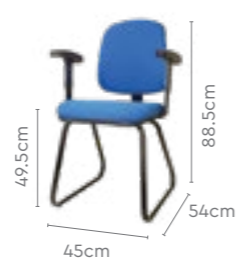


Measurements

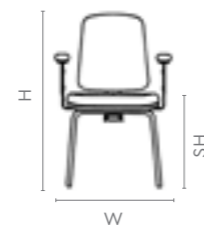
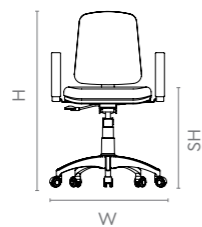
Model 7042R



Model 7044T



Model 7043



All sizes in cm	Width	Depth	Height	Seat Height
7042R	71.0	71.0	80.1 - 91.1	43.0 - 54.0
7043	45.0	54.0	88.5	49.5
7044T	56.0	54.0	88.5	49.5

Relax

Quarter Desklet, Full Desklet with Wiretray

Features

- The Relax 4 Leg chair features a spacious seat and ergonomic design, ensuring comfort for all users.
- Stay cool all day with the breathable mesh back, enhancing airflow.
- The Quarter Desklet features an attached writing pad for taking notes or using a laptop. The optional wiretray in the Full Desklet stows accessories.
- Ideal for classrooms, training areas, and conference rooms.
- Available in a range of colours and textures.

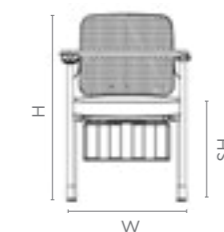
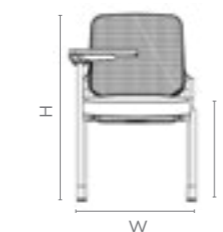


Measurements

Relax Quarter Desklet



Relax Full Desklet with Wiretray



All sizes in cm	Width	Depth	Height	Seat Height
Relax Quarter Desklet	59.0	76.0	86.5	46.0
Relax Full Desklet	60.5	79.0	86.5	46.0

1018D

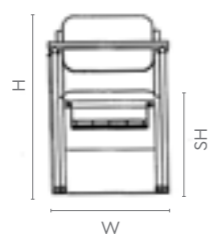


Features

- 1018D comes with a full desklet that allows users to comfortably place office essentials making it ideal for extended training sessions.
- Its sturdy tubular steel understructure provides stability and durability.
- The padded seat and back aid comfortable sitting for visitors.

Measurements

1018D



All sizes in cm	Width	Depth	Height	Seat Height
1018D	54.0	71.5	78.5	45.5

CH 18C

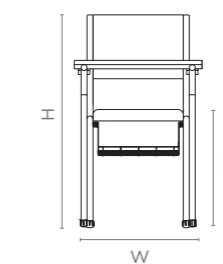


Features

- CH18C comes in a synthetic leather upholstery.
- It has scratch and weather-resistant armrests.
- Ideal for classrooms and training rooms as it comes with a full desklet and paper tray.

Measurements

CH 18C



All sizes in cm	Width	Depth	Height	Seat Height
CH 18C	54.0	67.5	85.5	48.0

Scintilla Desklet

Features

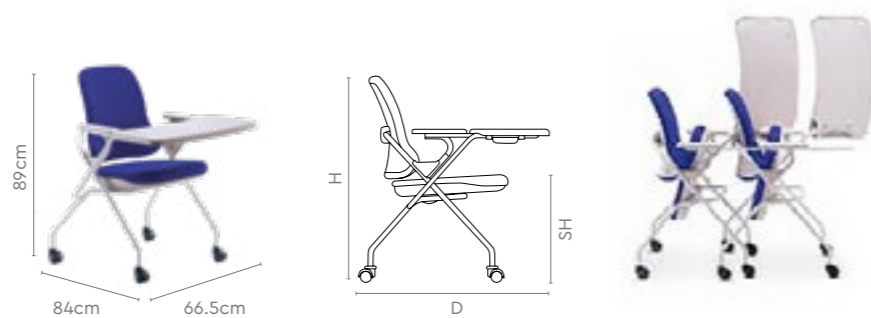
- The Scintilla's unique back-tilt feature allows for an upright as well as relaxed angle.
- Its body-hugging contours comfortably support your back, thus reducing pressure on the intervertebral discs.
- The scratch-resistant Flip-up desklet with a bean-shaped inner curve makes the chair comfortable for different body types.
- Scratch-resistant broad armrest ensures proper comfort to arms during long sitting hours.
- Tip-up seat ensures horizontal stackability, thereby optimising your space.



Design Registered



Measurements



All sizes in cm	Width	Depth	Height	Seat Height
Scintilla with Desklet	66.5	84.0	89.0	47.5

Unwind

With Desklet

Features

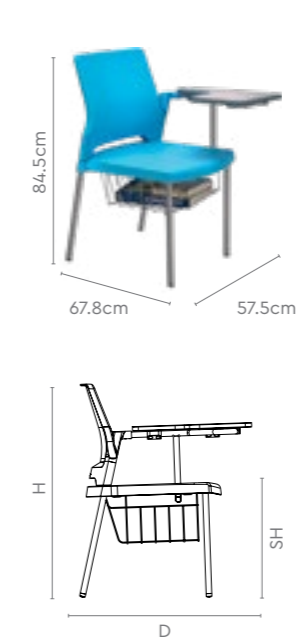
- This light and portable chair is easy to move around, and can be stacked one atop another to save space.
- Comes with a wide seat that can easily accommodate a cushion for additional comfort.
- The Unwind's flat surfaces make it easy to clean and maintain.
- Comes with a non-lipped desklet that slides forward and backward to accommodate different users.
- You will not face any peel-off issues as the poly-propylene edging is injection-moulded in situ along with the desklet.



Design Registered



Measurements



All sizes in cm	Width	Depth	Height	Seat Height
Unwind with Desklet	57.5	67.8	84.5	45.0

Unwind

With Armrest

Features

- The Unwind is a lightweight and portable chair that is easy to move and stack for space-saving convenience.
- The wide seat can comfortably accommodate a cushion for added comfort.
- The chair's flat surfaces are simple to clean and maintain.
- The injection-moulded polypropylene edging ensures no peel-off issues, seamlessly integrated with the desklet.
- Available in vibrant colours that add a cheerful touch to any room or space.

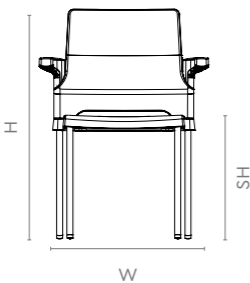


Design Registered



Measurements

Unwind with Armrest



All sizes in cm	Width	Depth	Height	Seat Height
Unwind With Armrest	62.3	55.8	84.5	45.0

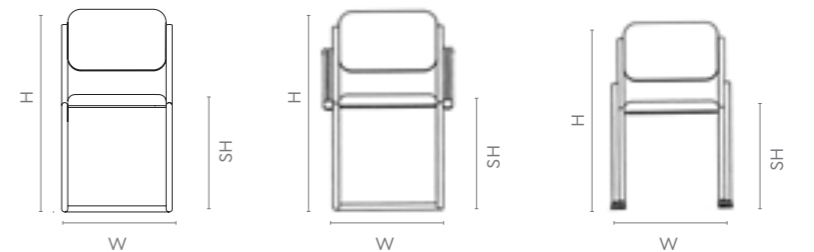
1004/1007/1018

Features

- Versatile and multi-purpose visitor seating chairs that are useful for conference rooms, seminar rooms, and as extra desk seating.
- Its sturdy tubular steel understructure provides stability and durability.
- The padded seat and back aid comfortable sitting for visitors.



Measurements



All sizes in cm	Width	Depth	Height	Seat Height
1004	46.5	59.5	82.5	46.0
1007	54.0	59.5	82.5	46.0
1018	52.0	60.5	78.5	45.5

Shine



Design Registered

Shine

Features

- The Shine collection is marked by a moulded sleek back and seat profile.
- The fluid lines of the chair's spacious seat rise up to form the gentle rose petal-like curve at the top.
- This curve also serves as an easy 'grab zone' when the chair has to be moved around.
- Available with a choice of five robust and efficient frame designs, Shine offers you a versatile collection of chairs that adapt easily and endlessly in different work zones.

Measurements

Shine Universal



Shine Loop



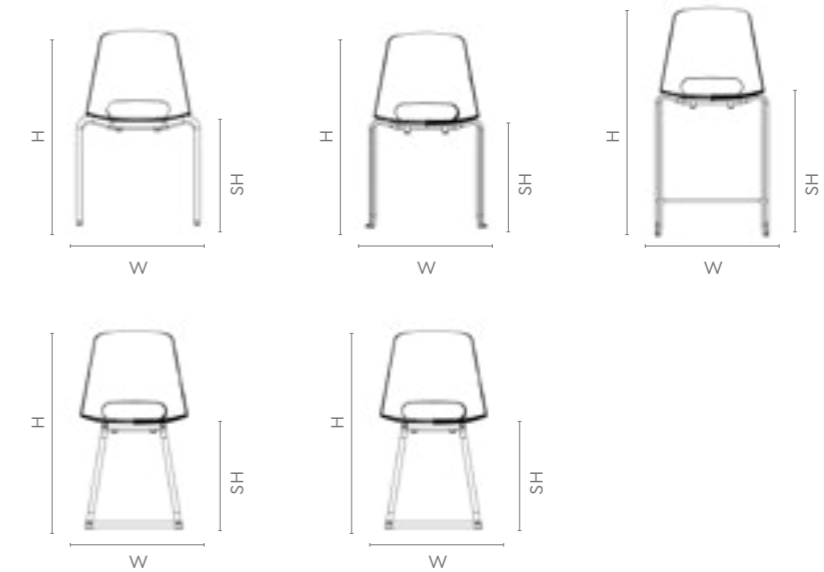
Shine Elevate



Shine Junior (SM5)



Shine Junior (SM6)



All sizes in cm	Width	Depth	Height	Seat Height
Shine Universal	51.5	52.5	81.8	45.9
Shine Loop	47.7	53.6	81.3	45.4
Shine Junior (SM3,4)	40.1	44.2	67.7/71.7	35.0/39.0
Shine Junior (SM5)	44.0	53.5	78.5	43.2
Shine Junior (SM6)	44.0	53.5	81.5	46.2
Shine Elevate	47.7	54.0	109.5	73.5

Relax 4 Leg

With and without Armrest, Castors, Sledge base



Relax 4 Leg

Features

- Designed with a spacious seat, the Relax chair with rounded armrests offers comfortable seating for all body types.
- A breathable mesh back promotes airflow, keeping you cool during long hours of use.
- Choose from two versatile variants: the lightweight, stackable sledge-base for stability and comfort, or the castor-base for effortless mobility and flexible seating. Armrests are optional.
- Suitable for high-traffic environments like breakout zones, training areas, and conference rooms.

Measurements

Relax 4 leg



Relax 4 leg with Armrest



Relax 4 leg with Castors



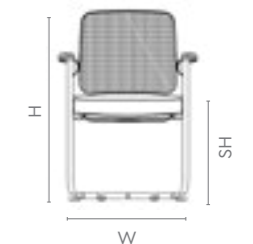
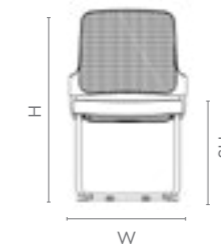
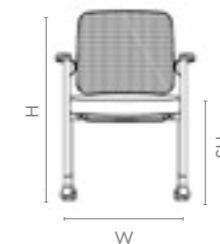
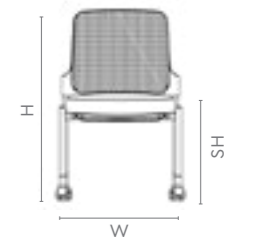
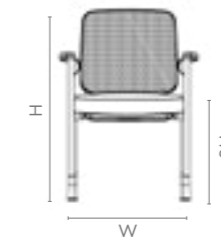
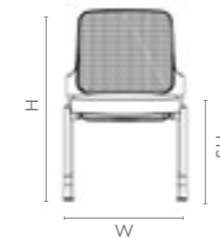
Relax 4 Leg with Castors and Armrest



Relax Sledge base



Relax Sledge base with Armrest



All sizes in cm

	Width	Depth	Height	Seat Height
Relax 4 leg	56.0	58.5	86.5	46.0
Relax 4 leg with Armrest	63.0	58.5	86.5	46.0
Relax 4 leg with Castors	58.5	60.0	86.5	46.0
Relax 4 leg with Castors and Armrest	63.0	60.0	86.5	46.0
Relax Sledge Base	53.5	58.5	86.5	46.0
Relax Sledge Base with Armrest	63.0	58.5	86.5	46.0

CH Series

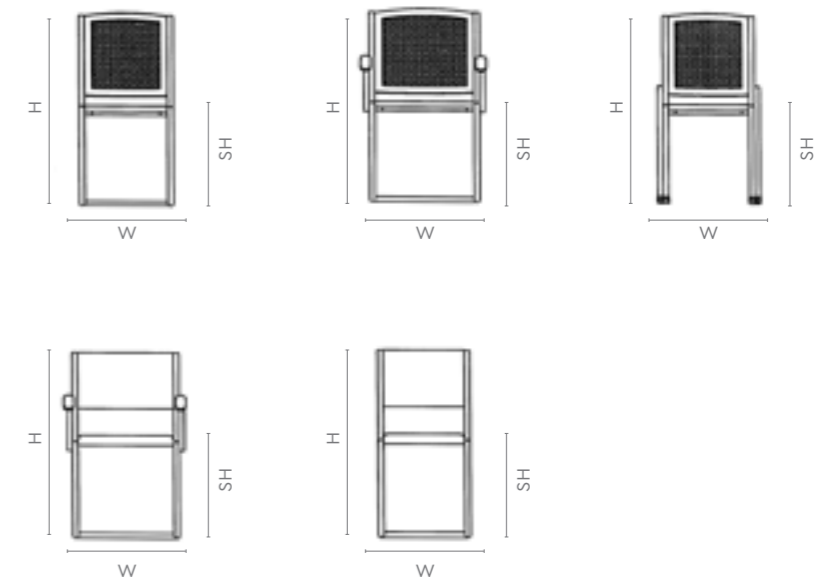
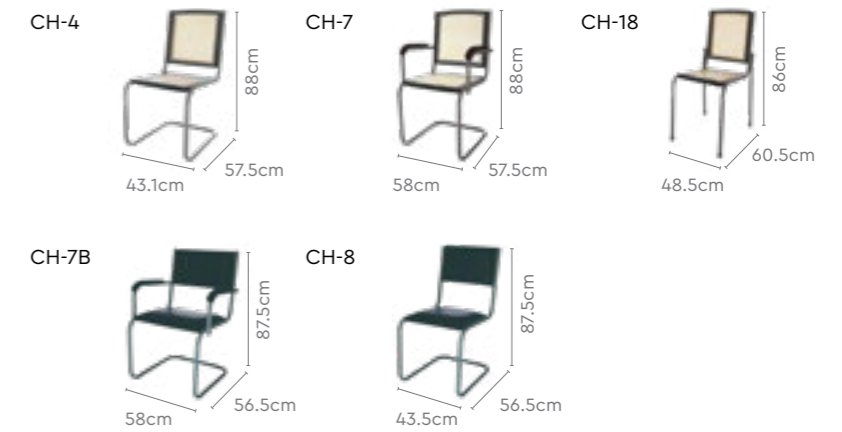


CH Series

Features

- The CH series of workplace seating solutions are sturdy, dependable, and economical.
- It seamlessly combines wood and tubular steel, giving it an aesthetic edge that makes it suitable for all types of office spaces.
- The seat and back are crafted from durable quality hardwood and finely finished for an attractive appearance.

Measurements



All sizes in cm	Width	Depth	Height	Seat Height
Classic CH-4	43.1	57.5	88.0	45.0
Classic CH-7	58.0	57.5	88.0	45.0
Classic CH-18	48.5	60.5	86.0	45.0
Classic CH-7B	58.0	56.5	87.5	48.0
Classic CH-8	43.5	56.5	87.5	48.0

Scintilla

With and without Armrest

Features

- Scintilla's unique back-tilt feature allows for an upright and relaxed angle.
- Its body-hugging contours comfortably support your back, effectively relieving pressure on the intervertebral discs.
- The tip-up seat ensures horizontal stackability, optimising the use of space.
- The broad armrest is scratch-resistant, providing comfortable support for arms during long periods of sitting.

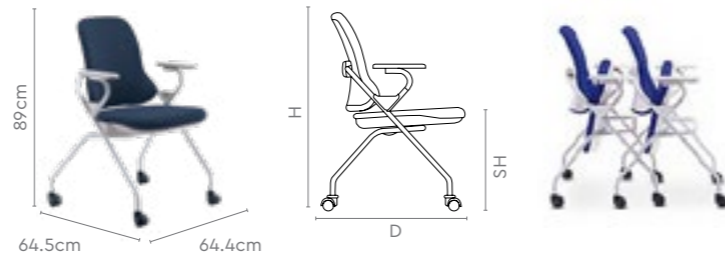


Design Registered

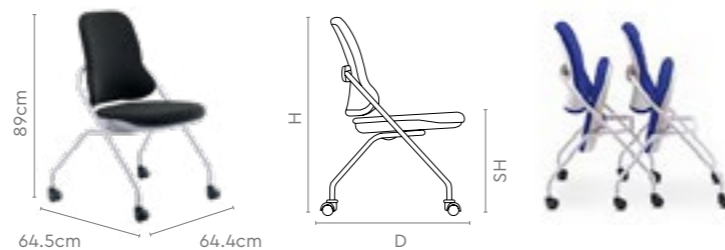


Measurements

Scintilla with Arms



Scintilla without Arms



All sizes in cm	Width	Depth	Height	Seat Height
Scintilla with Arms	64.4	64.5	89.0	47.5
Scintilla without Arms	64.4	64.5	89.0	47.5

EezySit



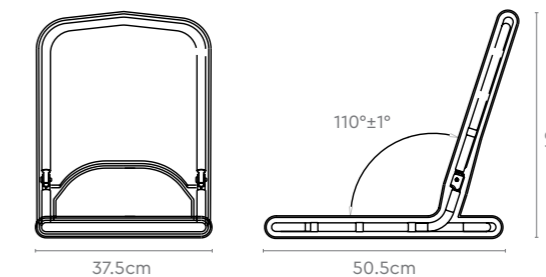
Design Registered

Features

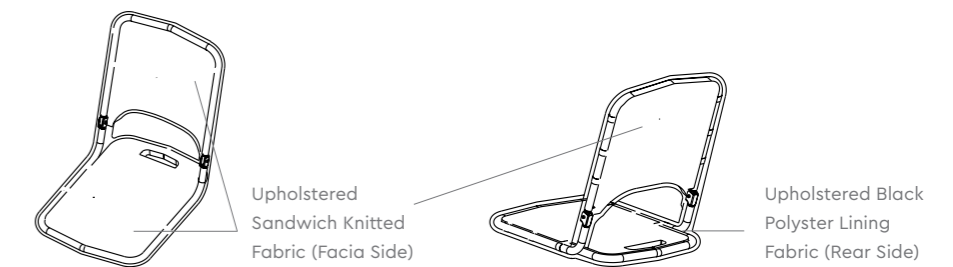
- EezySit's ergonomic design ensures the right posture whether you are working or simply lounging.
- It's designed for durability, complete with a high-tensile coated mesh fabric that allows ample cross ventilation and is fungus- and UV-resistant.
- Its solid frame, firm back, and twin-layer breathable fabric make it an ultra-comfortable seating solution with even weight distribution.
- The size of the chair allows it to be placed in almost any kind of space and the foldable frame helps in easy storage.

Measurements

Open Seat Back Condition



In Closed Condition



All sizes in cm	Width	Depth	Height
EezySit - Open	37.5	50.5	48.0
EezySit - Close	37.5	50.5	14.0

Unwind

Without Armrest & High Seating

Features

- Comes with a wide seat that can easily accommodate a cushion for additional comfort.
- The Unwind's flat surfaces make it easy to clean and maintain.
- You will not face any peel-off issues as the polypropylene edging is injection-moulded in situ.
- Available in vibrant colours that would brighten up any room or space.

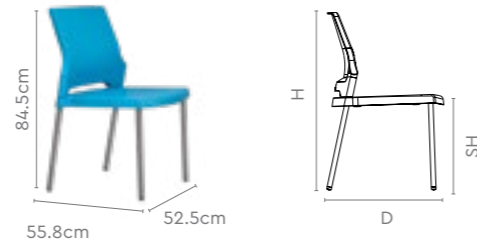


Design Registered

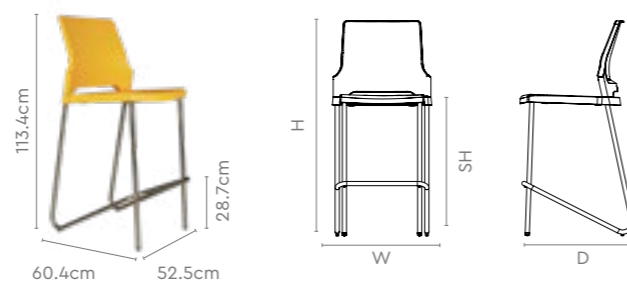


Measurements

Without Armrest



High Seating



All sizes in cm	Width	Depth	Height	Seat Height
Without Armrest	52.5	55.8	84.5	45.0
High Seating	52.5	60.4	113.4	74.0

Stool

Features

- A multi-functional stool with a cushioned seat and an easy manual height adjustment mechanism that can lock the stool at any position for maximum comfort.
- The stool comes with an ergonomic and padded backrest to aid prolonged sitting.
- Available with a fixed stool base or revolving stool base.



Measurements

Revolving Stool with High Base (With Back)



Revolving Stool with High Base (Without Back)



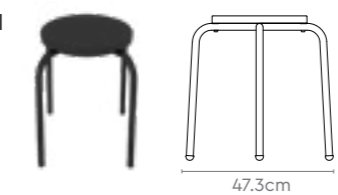
Revolving Stool (With Back)



Revolving Stool (Without Back)



Stool



All sizes in cm	Width	Depth	Height	Seat Height
Revolving Stool with High Base (With Back)	65.0	65.0	88.0 – 99.5	67.0 – 78.5
Revolving Stool with High Base (W/o Back)	65.0	65.0	67.0 – 78.5	-
Revolving Stool (With Back)	65.0	65.0	66.0 – 77.5	45.0 – 56.5
Revolving Stool (W/o Back)	65.0	65.0	45.0 – 56.5	-
Stool	47.3	47.3	-	46.5

Matrix



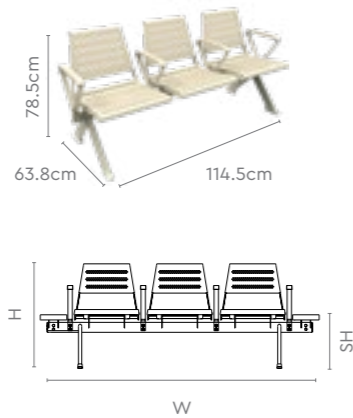
Design Registered

Features

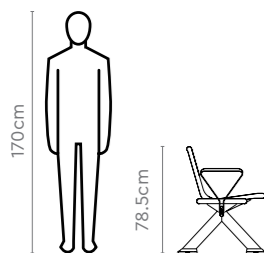
- The wide seat and ergonomic back support a comfortable, relaxed posture.
- The seat shell has a rounded edge profile for additional safety. Its unique feet design includes integrated aligners for easy adjustment on uneven floors.

Measurements

Matrix



Proportion



All sizes in cm	Width	Depth	Height	Seat Height
MTX2XX/MTX2IX	114.5	63.8	78.5	44.1
MTX2XS/MTX2IS	155.0	63.8	78.5	44.1
MTX3XX/MTX3IX	169.5	63.8	78.5	44.1
MTX3XS	210.0	63.8	78.5	44.1

Traverse

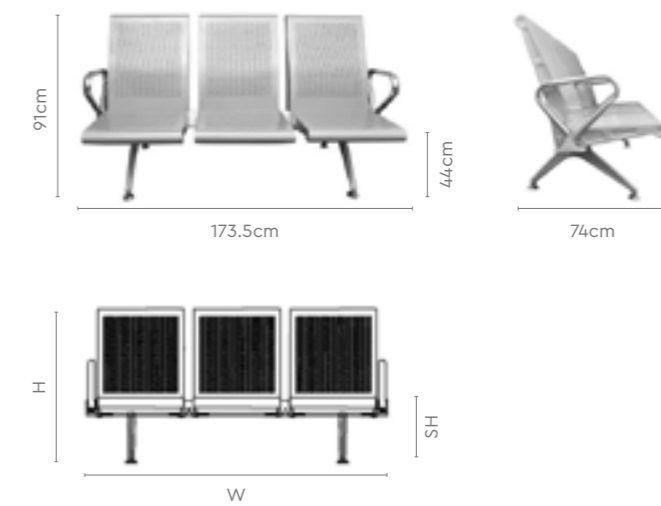


Features

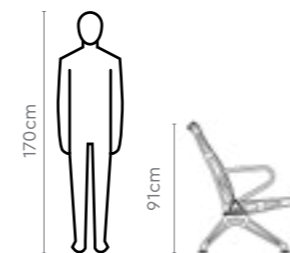
- Traverse is designed to accommodate users of all statures, with its large contoured seat and back offering appropriate lumbar support.
- It also provides ample space to relax, making waiting for long hours more comfortable without straining the body.
- A cushion for the seat and back can be added for enhanced aesthetics and comfort. Common arms can also be retrofitted.
- The seat's neat form reduces the chances of tripping.

Measurements

Traverse



Proportion



All sizes in cm	Width	Depth	Height	Seat Height
Traverse	173.5	74.0	91.0	44.0



Unwind

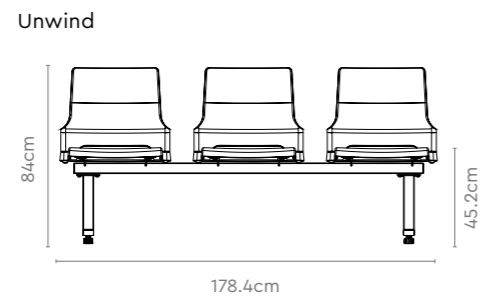


Design Registered

Features

- The Unwind has wide seats that provide maximum comfort for users.
- The flat surfaces make it easy to clean and maintain.
- The polypropylene edging effectively eliminates peel-off problems with in-situ injection molding.

Measurements



All sizes in cm	Width	Depth	Height	Seat Height
Beam Seating	178.4	56.3	84.0	45.2

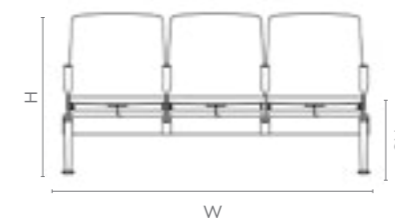
Luft



Features

- Designed for high-traffic spaces, Luft public seating ensures comfort, accessibility, and a refined atmosphere.
- Waiting becomes a more relaxing experience with contoured seats and backs designed for ergonomic comfort. Individual armrests create personal space, ensuring a stress-free wait.
- Long-lasting performance with high-grade materials like die-cast aluminum and durable PU surfaces.
- A sleek, contemporary design elevates the ambiance of airports, hospitals, banking, and other public spaces.

Measurements



All sizes in cm	Width	Depth	Height	Seat Height
Luft 3 seater	165.5	66.5	87.0	42.5
Luft 4 seater	218.5	66.5	87.0	42.5

Premium Lounge



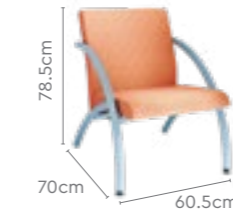
Premium Lounge

Features

- The Premium lounge features a slim seat and sleek back design.
- It comes with a sturdy and designer metal understructure.
- The two and three-seater variants allow individual back-flexing for each seat.
- Comes fitted with glide screws at the bottom that maintain a steady level even on uneven floors.
- The upholstery can be changed easily without any hassles, enabling you to give your office space a visual refresh as and when you want to.

Measurements

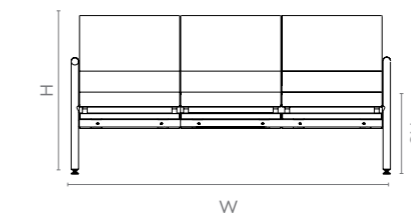
1 Seater



2 Seater



3 Seater



All sizes in cm	Width	Depth	Height	Seat Height
1 Seater	60.5	70.0	78.5	43.5
2 Seater	113.0	70.0	78.5	43.5
3 Seater	164.0	70.0	78.5	43.5

Pisa



Design Registered

Features

- The design is elegant, fresh, and eye-catching, which creates a welcoming atmosphere.
- The frame is made of moisture-, termite-, and borer-resistant plywood. It has a spring assembly attached for extra cushioning.
- Upholstered with a soft, fine finish and durable Shaneel fabric.
- Also available in Leatherette.

In the set above

Pisa Lounge Seating

1 Seater



2 Seater



3 Seater



Splurge
Coffee Table



Pisa Lounge Seating

Measurements

1 Seater



2 Seater



3 Seater



All sizes in cm	Width	Depth	Height	Seat Height
1 Seater	86.0	90.5	85.5	45.0
2 Seater	146.0	90.5	85.5	45.0
3 Seater	206.0	90.5	85.5	45.0

Loop

Features

- Loop's generous waterfall radius on its top edge enhances comfort, and ensures optimum clearance between the knee and the seat.
- The bowl-shaped bottom lets the user sway in all directions, adapting to their dynamic postures on the go.
- Comes in vibrant colours that pop life into every space it's in.



Measurements

All sizes in cm	Width	Depth	Height
Loop	45.5	45.5	51.0



Cradle

Features

- Cradle's bucket-shaped seat top provides a large contact area for prolonged comfort and support.
- Its cradle-shaped bottom aids in rocking to and fro.
- The strap along its centre acts as a handle for easy mobility.
- Comes in vibrant colours that pop life into every space it's in.



Measurements

All sizes in cm	Width	Depth	Height
Cradle	56.5	33.5	51.5



Drift

Features

- Drift's flat top and round edges supports unlimited freedom of movement.
- Castors attached to its wooden base allows it to be moved around at will and with ease.
- Comes in vibrant colours that pop life into every space it's in.



Measurements

All sizes in cm	Width	Depth	Height
Drift	44.5	44.5	47.5



Toggle

Features

- Toggle's bulbous top features a generous waterfall radius edge that enhances comfort with optimum knee-to-seat clearance.
- Its broad stable base is connected to the narrower top with a spring which allows the seat to move in different directions as per the user's preference.
- Comes in vibrant colours that pop life into every space it's in.



Measurements

All sizes in cm	Width	Depth	Height
Toggle	52.5	52.5	52.5



Cue Work Lounge



3 Seater poufs and configurations



Sofas with 700 mm panels



Circular Units with 1200 mm panels



Media Booth Units with 1400 mm panels



Meeting Booth Units with 2100 mm panels



Phone Booth Units with 2100 mm panels

Cue Work Lounge

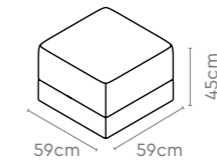
Features

- The CUE Work Lounge comprises standalone horizontal poufs, curved poufs, sofa sets, phone booths, and discussion carriages.
- You can combine these elements in any number of combinations and layouts, creating workspaces that are perfect for your teams and their activities.

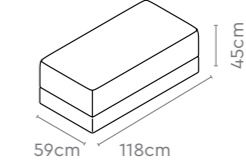
Measurements

Seater Poufs

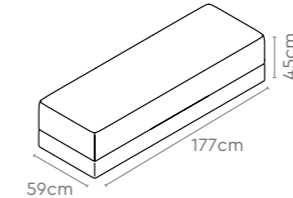
1 Seater



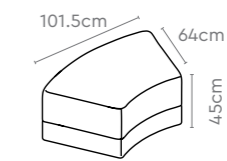
2 Seater



3 Seater

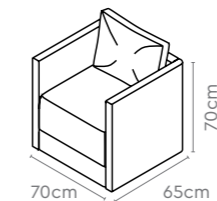


45° Curved Seat

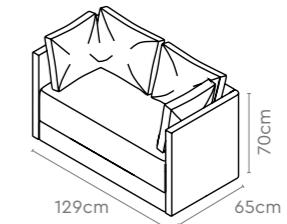


Seater Sofa with 700mm Panels

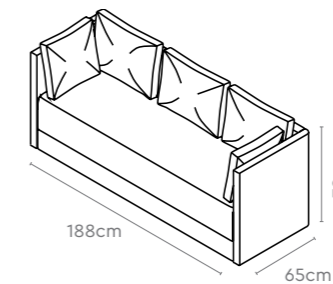
1 Seater Sofa 700



2 Seater Sofa 700



3 Seater Sofa 700



All sizes in cm	Width	Depth	Height	Seat Height
1 Seater	59.0	59.0	-	45.0
2 Seater	118.0	59.0	-	45.0
3 Seater	177.0	59.0	-	45.0
45° Curved Seat	101.5	64.0	-	45.0
1 Seater Sofa 700	70.0	65.0	70.0	45.0
2 Seater Sofa 700	129.0	65.0	70.0	45.0
3 Seater Sofa 700	188.0	65.0	70.0	45.0

Cue Work Lounge

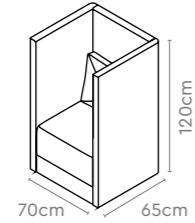
Features

- The CUE Work Lounge comprises standalone horizontal poufs, curved poufs, sofa sets, phone booths, and discussion carriages.
- You can combine these elements in any number of combinations and layouts, creating workspaces that are perfect for your teams and their activities.

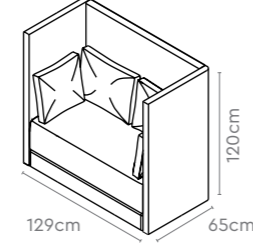
Measurements

1 Seater Sofa with 1200mm

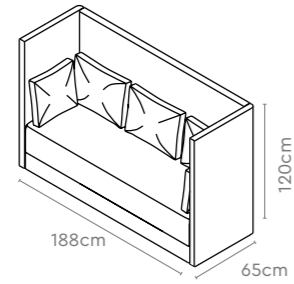
1 Seater Sofa 1200



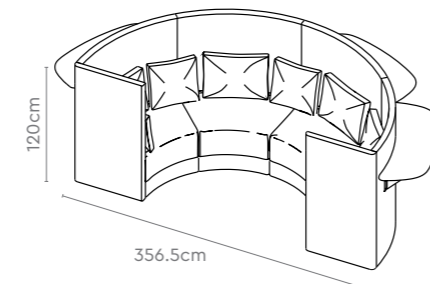
2 Seater Sofa 1200



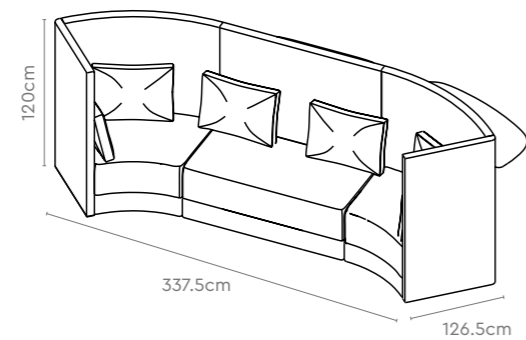
3 Seater Sofa 1200



45° Circular 1200



Media Cluster Small



All sizes in cm	Width	Depth	Height	Seat Height
1 Seater Sofa 1200	70.0	65.0	120.0	45.0
2 Seater Sofa 1200	129.0	65.0	120.0	45.0
3 Seater Sofa 1200	188.0	65.0	120.0	45.0
Media Cluster Small	337.5	126.5	120.0	45.0
45° Circular 1200	356.5	183.5	120.0	45.0

Cue Work Lounge

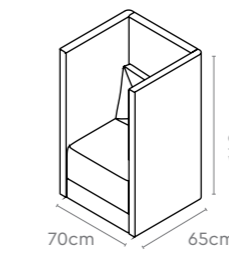
Features

- The CUE Work Lounge comprises standalone horizontal poufs, curved poufs, sofa sets, phone booths, and discussion carriages.
- You can combine these elements in any number of combinations and layouts, creating workspaces that are perfect for your teams and their activities.

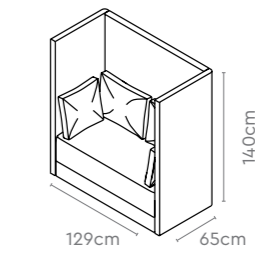
Measurements

1 Seater Sofa with 1400mm

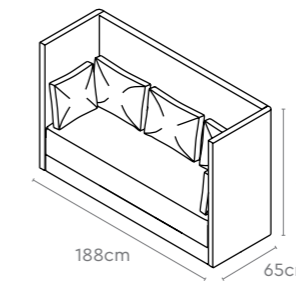
1 Seater Sofa 1400



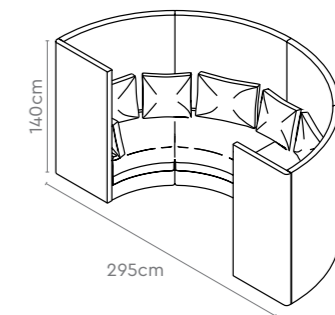
2 Seater Sofa 1400



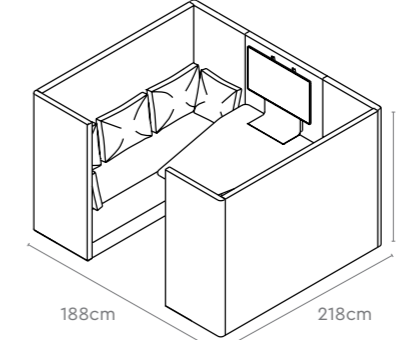
3 Seater Sofa 1400



45° Circular 1400



Media Booth



All sizes in cm	Width	Depth	Height	Seat Height
1 Seater Sofa 1400	70.0	65.0	140.0	45.0
2 Seater Sofa 1400	129.0	65.0	140.0	45.0
3 Seater Sofa 1400	188.0	65.0	140.0	45.0
45° Circular 1400	295.0	153.0	140.0	45.0
Media Booth	188.0	218.0	140.0	45.0

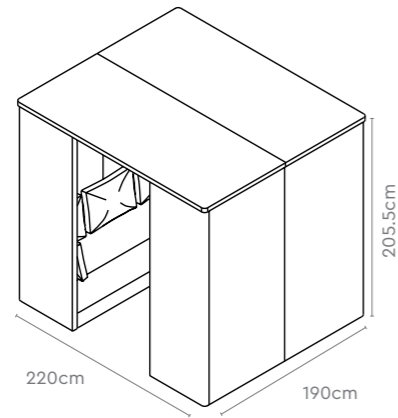
Cue Work Lounge

Features

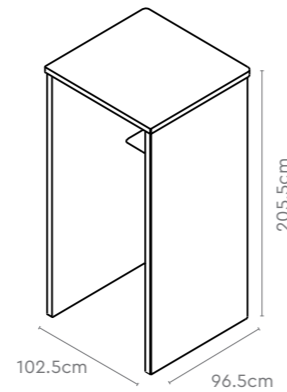
- The CUE Work Lounge comprises standalone horizontal poufs, curved poufs, sofa sets, phone booths, and discussion carriages.
- You can combine these elements in any number of combinations and layouts, creating workspaces that are perfect for your teams and their activities.

Measurements

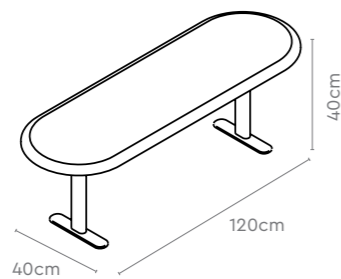
Meeting Booth



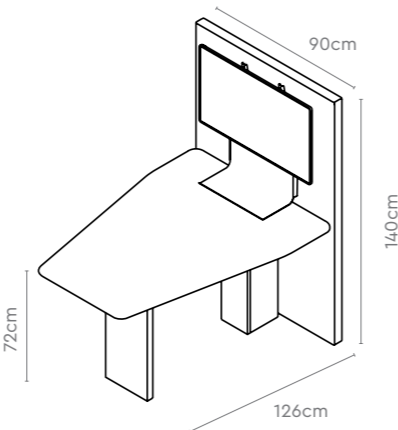
Phone Booth



Tea Table



Media Screen



All sizes in cm	Width	Depth	Height
Meeting Booth	220.0	190.0	205.5
Phone Booth	102.5	96.5	205.5
Tea Table	120.0	40.0	40.0
Media Screen	90.0	126.0	140.0

Venus

Features

- The Venus chair features a grouting method that ensures hassle-free installation and removal, without disrupting the foundation.
- The seat back cover enhances durability by providing additional support, while the foundation bolt cover preserves the aesthetic appeal.
- The seat has a manual seat tip-up mechanism and PP armrests for ease and comfort.



Measurements

I Frame



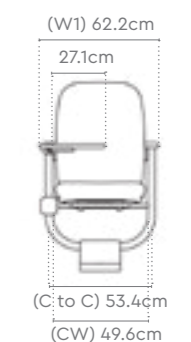
I Frame with Desklet



U Frame



U Frame with Desklet



All sizes in cm	Centre To Centre	Clearance Width	Width 1, Width 2	Depth 1, Depth 2	Height	Armrest Height	Seat Height
I Frame	53.4	49.6	60.9, 45.9	65.4, 31.3	98.4	67	46.2
I Frame with Desklet	53.4	49.6	62.2, -	76.3, -	98.4	67	46.2
U Frame	53.4	49.6	60.9, 45.9	65.4, 31.3	98.4	67	46.2
U Frame with Desklet	53.4	49.6	62.2, -	76.3, -	98.4	67	46.2



Mars Range



Design Registered

(For Eco Mars)



Features

- The Mars auditorium chair upholstery on the seat and back contours uses a unique stitching technique that avoids glue usage on the fabric, thereby reducing VOC emissions.
- Features auto seat tip-up mechanism, and a Synchro Slide feature for user comfort.
- The Eco Mars auditorium chair comes with PU cup holder armrests that enable safe placement of drinks. It comes with caps to hide grouting bolts, and can be installed in both linear as well as curved layouts.
- Available in HB and MB variants.



Mars



Mars with Desklet



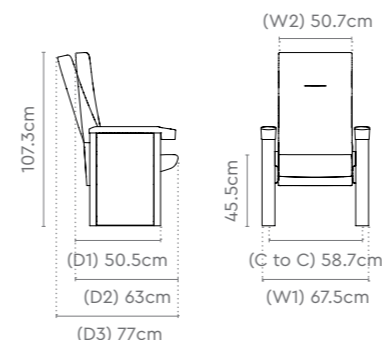
Eco Mars

Mars Range

Measurements

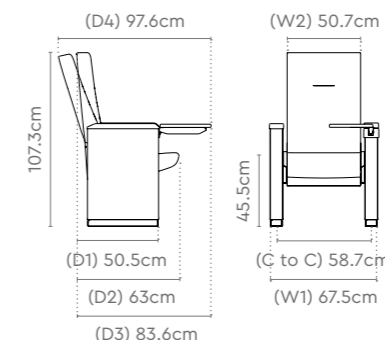
Mars

Flexi-back (HB)



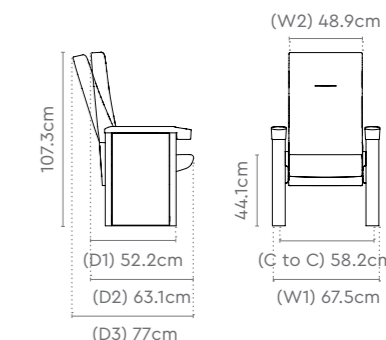
Mars with Desklet

Flexi-back with Desklet (HB)

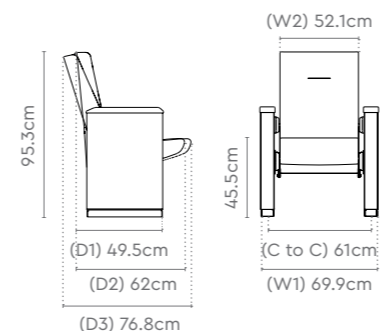


Eco Mars

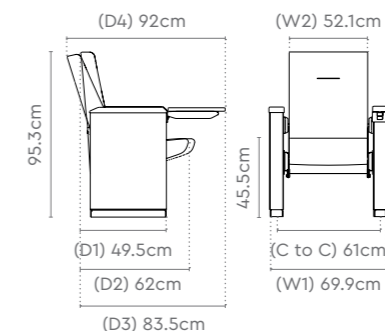
Flexi-back (HB)



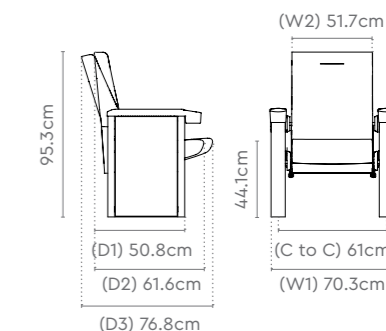
Synchro Slide (MB)



Synchro Slide with Desklet (MB)



Synchro Slide (MB)



All sizes in cm	Centre To Centre	Width 1, Width 2	Depth 1, Depth 2, Depth 3	Depth 4	Height	Seat Height
Flexi-back (HB)	58.7	67.5, 50.7	50.5, 63.0, 77.0	-	107.3	45.5
Flexi-back (MB)	58.7	67.5, 50.7	50.0, 62.0, 73.0	-	95.3	45.5
Synchro Slide (HB)	61.0	69.9, 52.1	50.5, 63.0, 80.0	-	107.3	45.5
Synchro Slide (MB)	61.0	69.9, 52.1	49.5, 62.0, 76.8	-	95.3	45.5
Flexi-back with Desklet (HB)	58.7	67.5, 50.7	50.5, 63.0, 83.6	97.6	107.3	45.5
Flexi-back with Desklet (MB)	58.7	67.5, 50.7	50.0, 62.0, 82.7	93.7	95.3	45.5
Synchro Slide with Desklet (HB)	61.0	69.9, 52.1	50.5, 63.0, 84.5	95.5	107.3	45.5
Synchro Slide with Desklet (MB)	61.0	69.9, 52.1	49.5, 62.0, 83.5	92.0	95.3	45.5
Eco Mars Flexi-back (HB)	58.2	67.5, 48.9	52.2, 63.1, 77.0	-	107.3	44.1
Eco Mars Flexi-back (MB)	58.2	67.5, 48.9	51.4, 62.3, 73.0	-	95.3	44.1
Eco Mars Synchro Slide (HB)	61.0	70.3, 51.7	51.4, 63.2, 77.0	-	107.3	44.1
Eco Mars Synchro Slide (MB)	61.0	70.3, 51.7	50.8, 61.6, 76.8	-	95.3	44.1

Glamour NXT

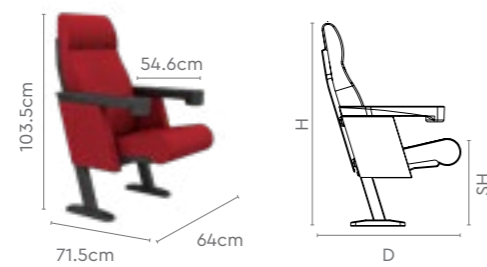


Features

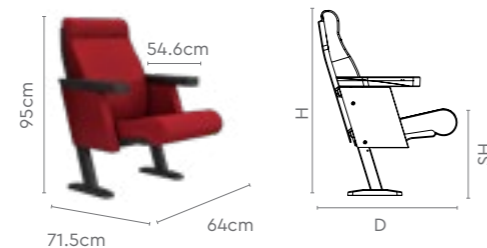
- The Glamour NXT's injection-moulded seats and back covers give it a contemporary look and feel.
- Features auto seat tip-up mechanism for better aisle space utilisation, and PP armrests for ease and comfort.
- Available with and without cup holder options.
- Can be installed in all linear layout space plans.

Measurements

High Back



Mid Back



All sizes in cm	Width	Depth	Height	Seat Height
High Back	64.0	71.5	103.5	44.5
Mid Back	64.0	71.5	95.0	44.5

Jupiter



Features

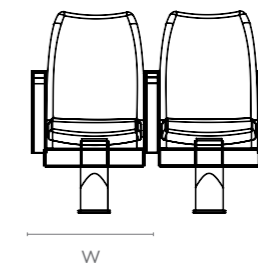
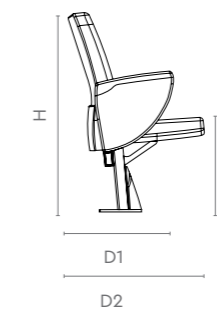
- The Jupiter is a modern auditorium seating solution, with a highly functional and aesthetically-appealing design.
- Comes with an understructure that's fixed to the ground by foundation expansion bolts for greater stability.
- Is complete with armrests that are made with seasoned wood, and upholstered with PU foam.
- In short, the Jupiter auditorium chair is where great aesthetics meets superior comfort.

Measurements

High Back (Common Arm)



Mid Back (Common Arm)



All sizes in cm	Width	Depth 1, Depth 2	Height	Seat Height
High Back (Individual arm)	60.0	49.0, 64.0	101.0	46.5
High Back (Common arm)	53.0	49.0, 64.0	101.0	46.5
Mid Back (Individual arm)	60.0	54.0, 69.0	89.0	46.5
Mid Back (Common arm)	53.0	54.0, 69.0	89.0	46.5